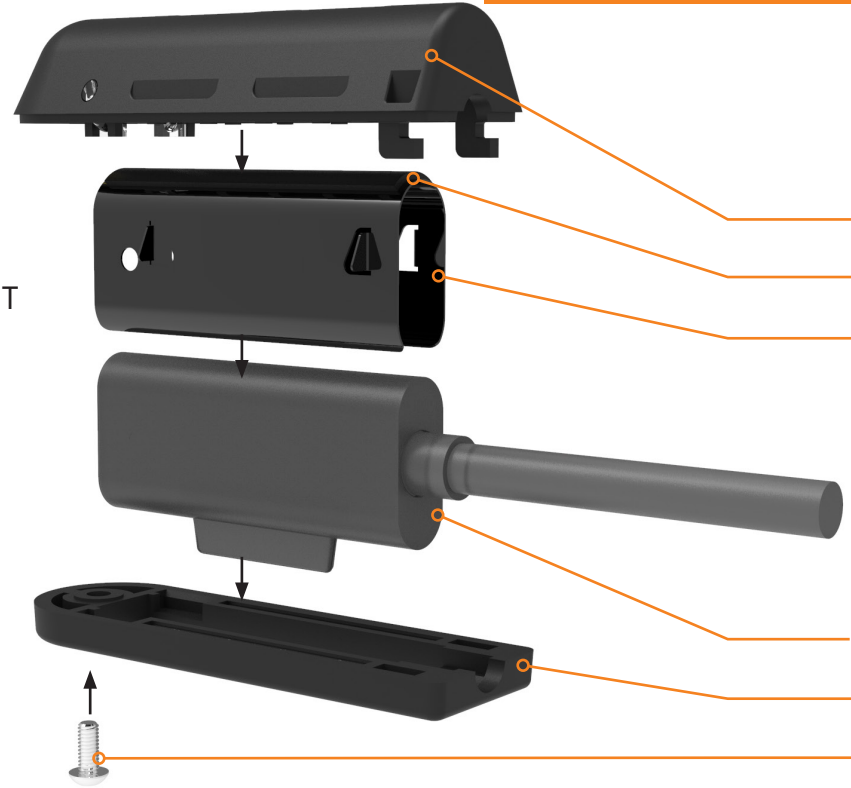


MAGNETIC CONNECTOR CARRIAGE (LARGE)

MAKE NOTE OF THE PROPER ORIENTATION AND ALIGNMENT OF PARTS



THE PARTS

Housing - Top

Adhesive Tape

Spring Clip

Microsoft Dock Surflink Connector (40-pin)

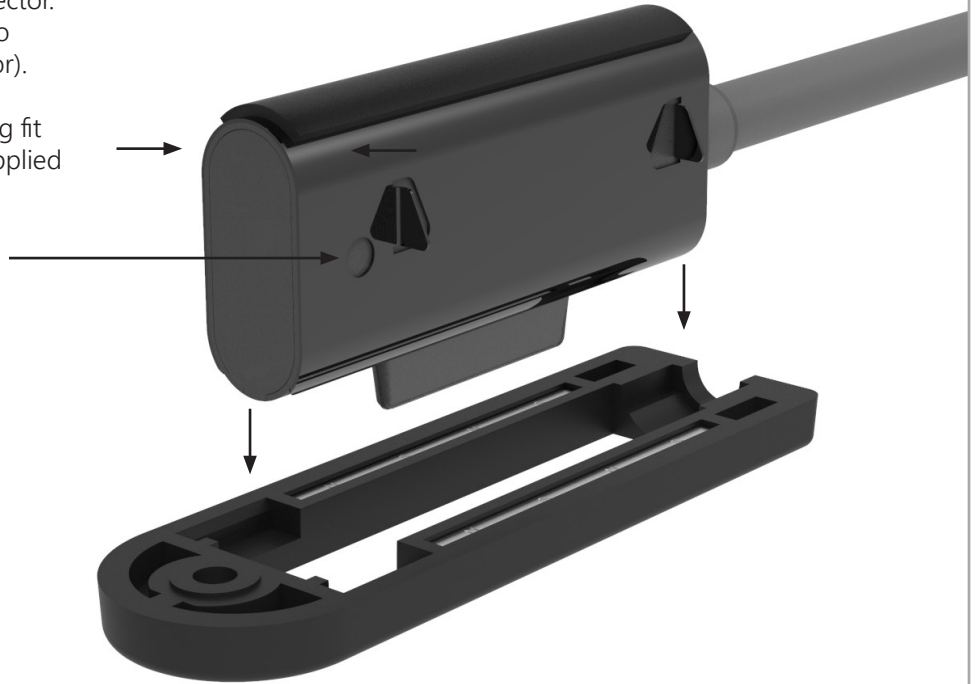
Housing - Bottom

Screw

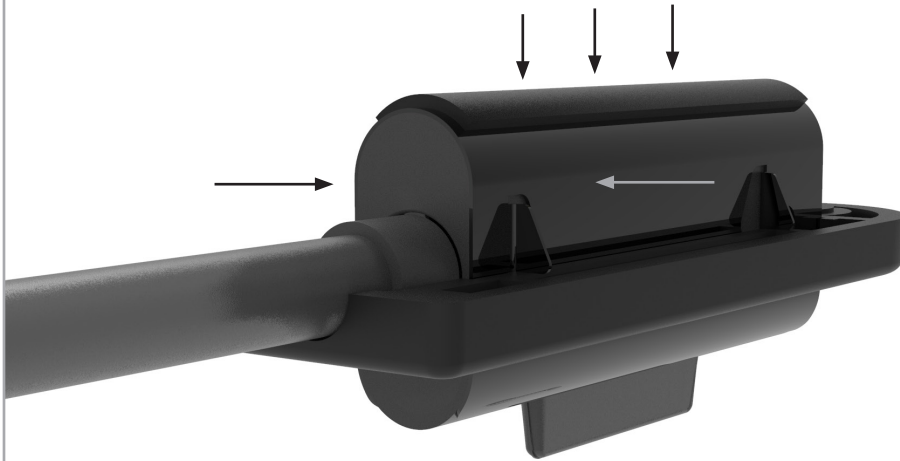
Begin by pressing and holding the Spring Clip around the Surflink Connector. (For a firmer grip you can use pliers to hold the clip securely to the connector).

The clip is tension designed for a snug fit so continued pressure needs to be applied as we move to the next step.

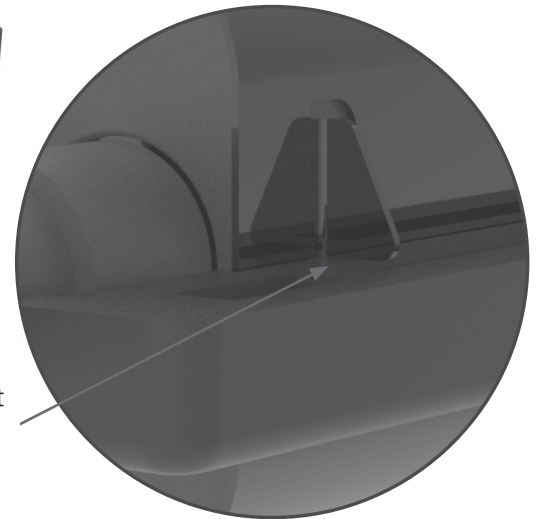
Note position of the light pipe hole.

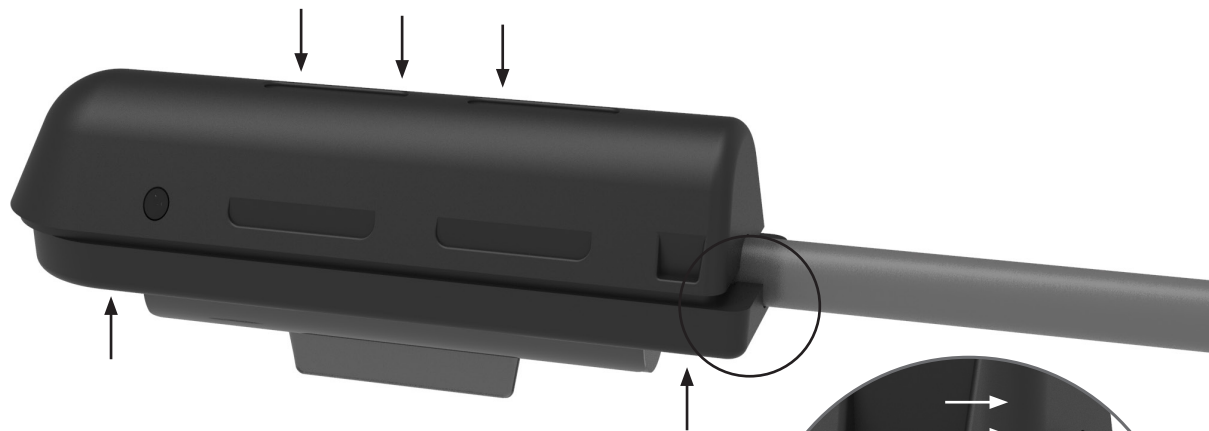


While firmly holding the Tension Spring Clip around the Surflink Connector, insert into the Housing - Bottom.



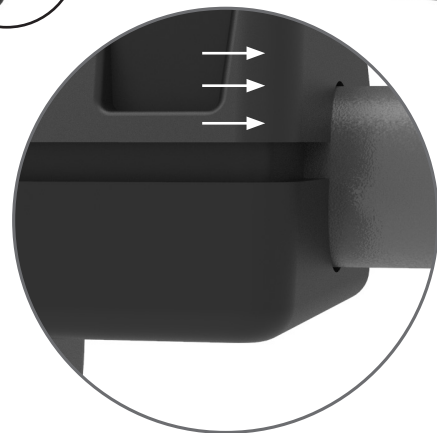
Be sure to fully seat into the Housing.





Once the Surflink Connector and Spring Clip are fully seated, press the Top and Bottom Housings together.

And slide clips into place.





To complete assembly
insert 2mm T8 Torx screw.